

# New Product LED FLASHER UNIT



**FLASHER UNIT 12V or 24V**



**12/24V I-LS BOOSTER UNIT**

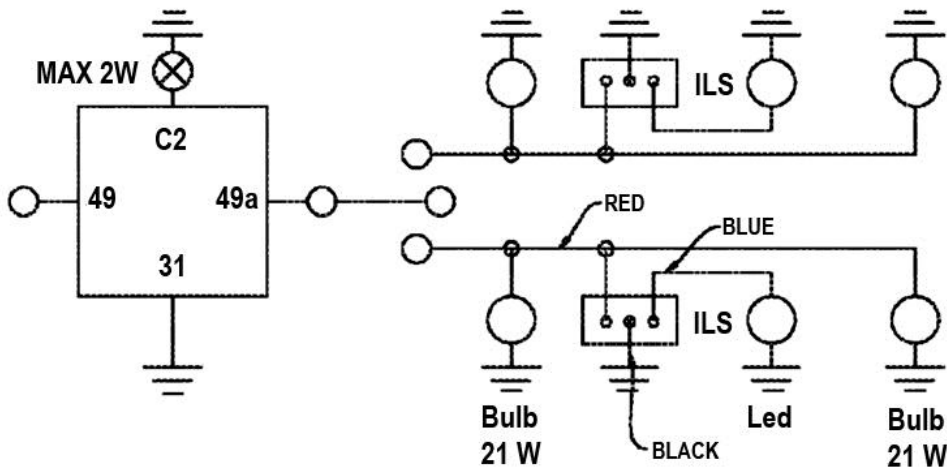
ADR compliant and designed for vehicle systems with LED lamps fitted, includes lamp failure detection, suitable for:

- LED 1W-8W direction indicator lamps
- Standard Lamps up to 21W
- LED / Standard lamp combinations
- 12V or 24V Flasher unit available
- One I-LS Booster unit is required for each LED lamp fitted on the vehicle

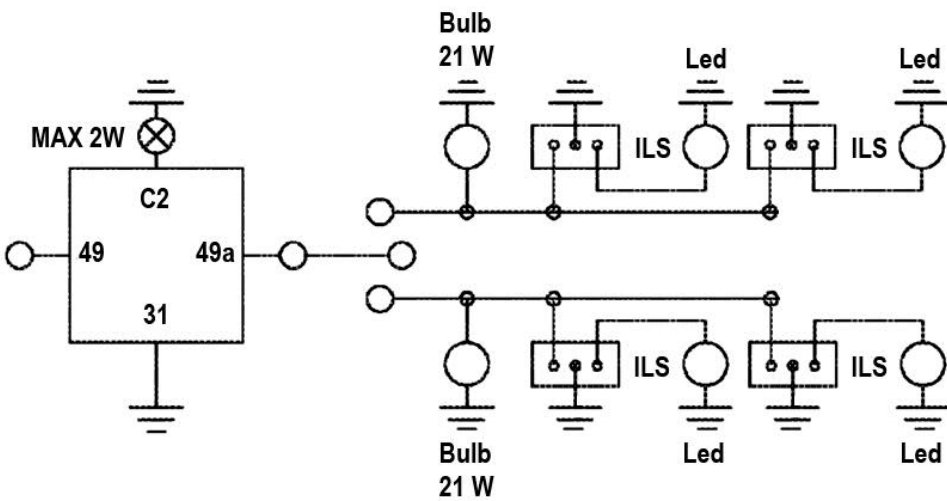
## **LAMP FAILURE DETECTION**

- **Failure of 1 Lamp:** C2 Dashboard Indicator light switches to off
- **Failure of 2 Lamps:** Flash frequency increase to 130 cycles / Min

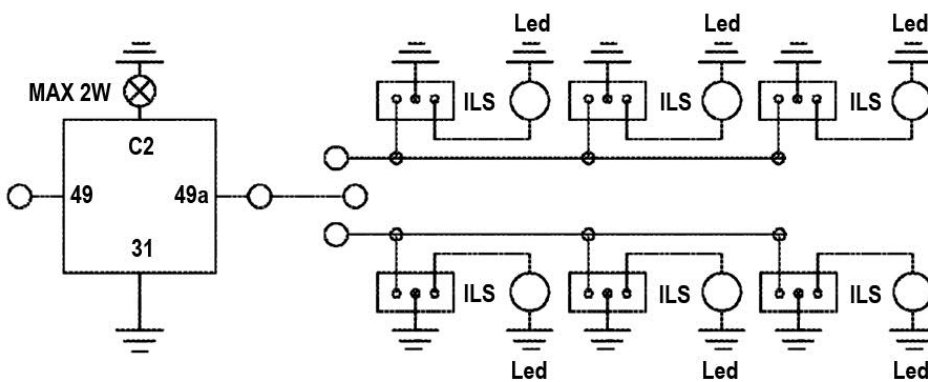
# APPLICATION example



- 2x LED lamps
- 4x 21W lamps



- 4x LED lamps
- 2x 21W lamps



- 6x LED lamps

# SPECIFICATIONS

CHARACTERISTICS	AV.19.0019.00	AV.19.0020.00
RATED VOLTAGE	12V DC	24V DC
OPERATING VOLTAGE	10V – 15V DC	20V – 30V DC
TEST VOLTAGE	13V ±0,2	26V ±0,2 DC
LOAD LIMIT	140W	140W
OPERATING TEMPERATURE	+ 20°C ±2°C	+ 20°C ±2°C
TEST TEMPERATURE	-40°C – 80°C	-40°C – 80°C
FLASHING SPEED	80 TIMES/MIN ±10%	80 TIMES/MIN ±10%
FAILURE DETECTION FLASHING SPEED	130 TIMES/MIN ±10%	130 TIMES/MIN ±10%
UNIT WEIGHT	28g	28g
LIFETIME	200h CONTINUOUS	200h CONTINUOUS

REFERENCE STANDARDS	
ISO 13207-1: 2012 :	LED LAMP CHARACTERISTIC FOR BULB COMPATIBLE FAILURE DETECTION
ISO 8092 – DIN 46244	ROAD VEHICLES – CONNECTIONS FOR ON BOARD ELECTRICAL WIRING HARNESS
DIN 4050 – <u>RATED IP 5K4</u>	TERMINALS POINTING DOWNWARDS. WATER PROTECTION INSIDE
EMC ECE R10 e24 COMPLIANCE	USE IN COMBINATION WITH AV.19.0018.00
EU DIR 2002/95/EC RoHS	