

MULTISENSOR

MULTISENSOR is the main unit of SENTINEL system, which includes an angle sensor, a gyro, a GPS device and a control unit with microprocessor able to process - with a dedicated algorithm (wheeled tractor with rigid chassis, articulated, tracked, transporter, etc) - the signals registered and the specific data related to the vehicle and the attachments (entered into a database on the activation moment).



DATASHEET

CONTROL SYSTEM:

- Freescale Microcontroller, 16bit, 25 MHz clock
- Flash Memory 256 KB
- RAM Memory 12 KB
- EEPROM Memory 3 KB

CONNECTIVITY:

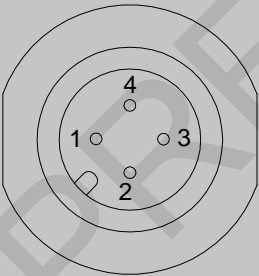
- 1 CAN BUS port, CAN 2.0B (11 or 29 bit), ISO 11898-2 compliance, speed up to 1 Mbit/s

ELECTRICAL FEATURES:

- Power Supply: 9 ÷ 30Vdc (operates directly on vehicle power supply)
- Current requirements for the internal logic: max 150 mA

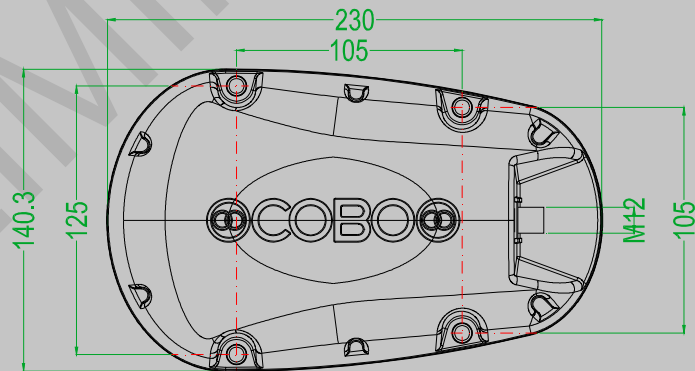
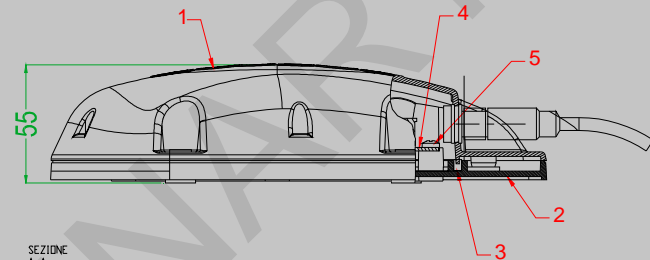
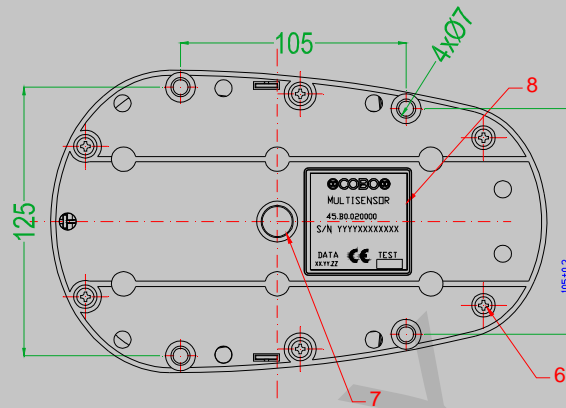
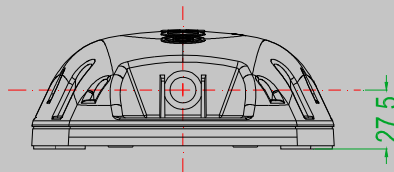
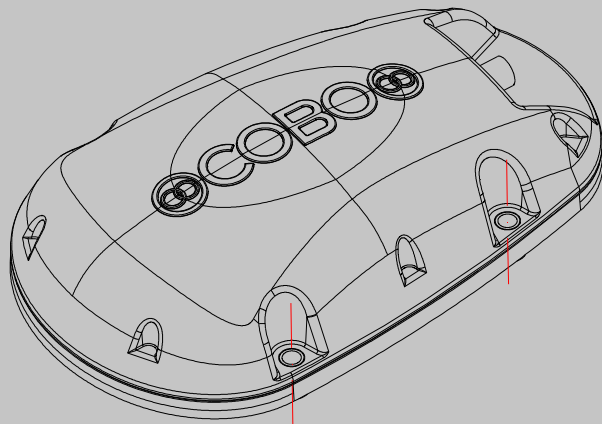
MACHANICAL AND ENVIROMENTAL FEATURES:

- Operating Temperature Range: from -20°C to +70°C (from -4°F to +158°F)
- Storage Temperature Range: from -40°C to +85°C (from -40°F to +185°F)
- Protection: IP66 following CEI_EN 60529 + IPX9K - DIN 40050 norm
- Material: PA6 + 30%GBF



PIN	SIGNAL
1	+VB
2	-VB
3	CAN-H
4	CAN-L

MECHANICAL DIMENSIONS:



NOTE / NOTES

1	Coperchio in PA6 con carica vetro Cover: PA6 glass reinforced
2	Base in PA6 con carica di vetro Base: PA6 glass reinforced
3	Guarnizione Gasket rubber
4	Scheda elettronica completa di componenti Printed circuit assy
5	Vite M4 fissaggio scheda coppia di serr. TBD M4 Fixing screw for printed circuit assy. Tightening torque TBD
6	Vite M4 per fissaggio coperchio-base coppia di serr. TBD M4 Fixing screw for assy. Tightening torque TBD
7	Valvola NITTO Valve NITTO
8	Etichetta plastica con stampigliato PN COBO e SN Label plastic with stamped code COBO and serial number
A	Grado di protezione IP66-IPX9 Protection grade IP66-IPX9
B	Apparecchio conforme alla specifica di prodotto: SP 45-B0-020000 Device according to specification: SP 45-B0-020000
C	Foratura di applicazione Application hole

